

Heavy Round Washer

Material: Mild Steel

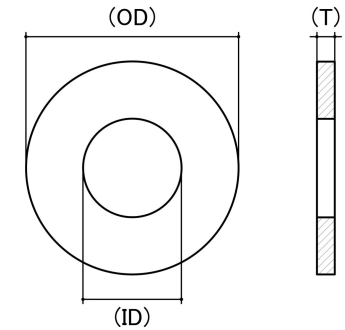
Class Grade: Low Tensile Class 4.6

Corrosion Protection Level: Excellent

Finish: Galvanised

Standard: AS1237.1-2002

System Of Measurement: Metric



*CAD drawings shown for graphic representation only.**

Industry Size	Inside Dimension (ID) (mm)		Outside Dimension (OD) (mm)	Thickness (T) (mm)	sku (qfind)
	Min	Max	Nom	Nom	
M6 x 16 x 1.4	6.40	7.10	16.00	1.40	71H616G
M6 x 19 x 1.6	6.40	7.10	19.00	1.60	71H619G
M8 x 19 x 1.6	8.60	9.30	19.00	1.60	71H819G
M8 x 22 x 1.8	8.60	9.30	22.00	1.80	71H822G
M10 x 22.5 x 2	10.50	11.50	22.50	2.00	71H10225G
M10 x 27 x 2	10.50	11.50	27.00	2.00	71H1027G
M10 x 30 x 2.5	10.50	11.50	30.00	2.50	71H1030
M10 x 30 x 2.5	10.50	11.50	30.00	2.50	71H1030G
M12 x 27.5 x 2.25	13.00	14.00	27.50	2.25	71H12275G
M12 x 32 x 2.25	13.00	14.00	32.00	2.25	71H1232G
M12 x 37 x 3	13.00	14.00	37.00	3.00	71H1237G
M12 x 37 x 3	13.00	14.00	37.00	3.00	71H1237
M16 x 33.5 x 2.75	17.00	17.60	33.50	2.75	71H16335G
M16 x 50 x 3	17.00	17.60	50.00	3.00	71H1650
M16 x 50 x 3	17.00	17.60	50.00	3.00	71H1650G

Industry Size	Inside Dimension (ID) (mm)		Outside Dimension (OD) (mm)	Thickness (T) (mm)	sku (qfind)
	Min	Max	Nom	Nom	
M20 x 38 x 3	20.90	22.40	38.00	3.00	71H2038G
M20 x 60 x 4	20.90	22.40	60.00	4.00	71H2060G
M20 x 60 x 4	20.90	22.50	60.00	4.00	71H2060
M22 x 46.5 x 3	22.30	24.30	46.50	3.00	71H22465G
M24 x 52 x 4	25.00	27.00	52.00	4.00	71H2452G
M24 x 72 x 5	25.00	27.00	72.00	5.00	71H2472G
M24 x 72 x 5	25.00	27.00	72.00	5.00	71H2472
M27 x 62 x 4	31.00	33.00	62.00	4.00	71H2762G
M30 x 58 x 4	33.00	35.00	58.00	4.00	71H3058G
M33 x 63 x 4	34.00	36.00	63.00	4.00	71H3363G
M36 x 70 x 5	39.00	42.00	70.00	5.00	71H3670G
M39 x 77 x 5	40.80	42.80	77.00	5.00	71H3977G
M42 x 77 x 5	44.00	46.00	77.00	5.00	71H4277G
M45 x 90 x 6	47.00	50.00	90.00	6.00	71H4590G
M48 x 90 x 6	51.00	53.00	90.00	6.00	71H4890G
M52 x 100 x 6	54.00	56.00	100.00	6.00	71H52100G
M56 x 119 x 7	61.00	63.00	119.00	7.00	71H56119G
M64 x 125 x 7	69.50	72.00	125.00	7.00	71H64125G

Disclaimer:

Dimensional data and technical information was obtained from publicly available sources and not acquired through standard agencies. It has been completed and compiled for reference purposes only; where discrepancies are found they are subject to change without notice. Bolt & Nut Australia makes no warranties or representations regarding the accuracy and validity of the compiled information and data. Contact the relevant standard authorities for accurate and detailed information.

* CAD drawings may not reflect diameter, thread length or overall length.

© Bolt & Nut Australia Pty Ltd. All rights reserved.

Version: 18 Mar 2024